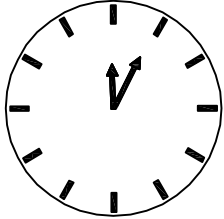
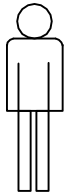


Imported by Amart Furniture Pty Ltd, Qld, Brisbane Australia.  
For any assistance with assembly or for missing parts please phone  
Amart Furniture Ewing Road, Customer Service Free Call 1800  
351 084

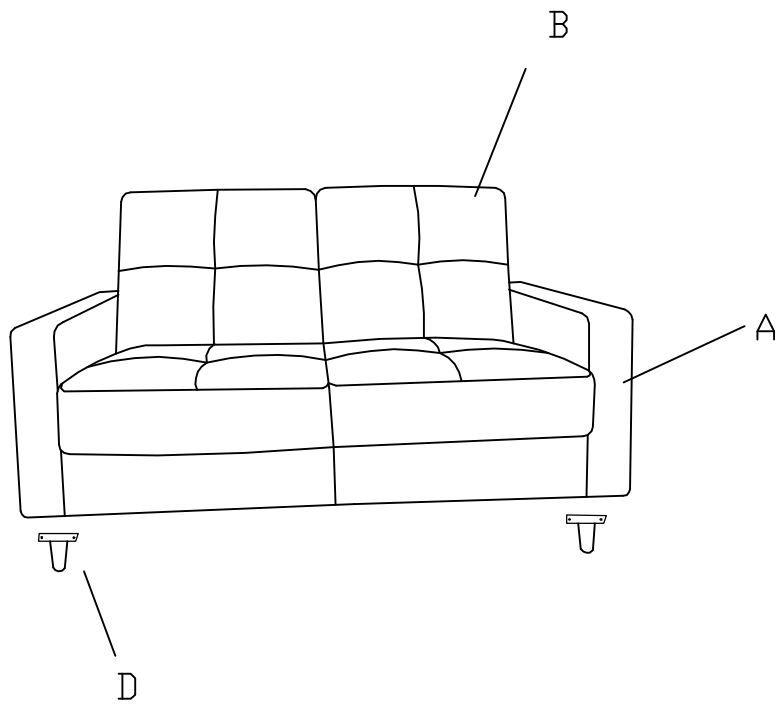
# PRE-ASSEMBLY PREPARATION


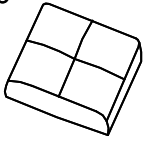

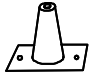




## Before you start:

1. Choose a clean, level, spacious assembly area. Avoid hard surfaces that may damage the product
2. Take care when lifting. Product be assembled as near as possible to the point of use
3. Ensure that you have all required contents for complete assembly
4. Always read the assembly instructions carefully before beginning assembly
5. Keep all hardware parts and packaging out of small children
6. Do not over tighten the screws and bolts as this may damage the threads

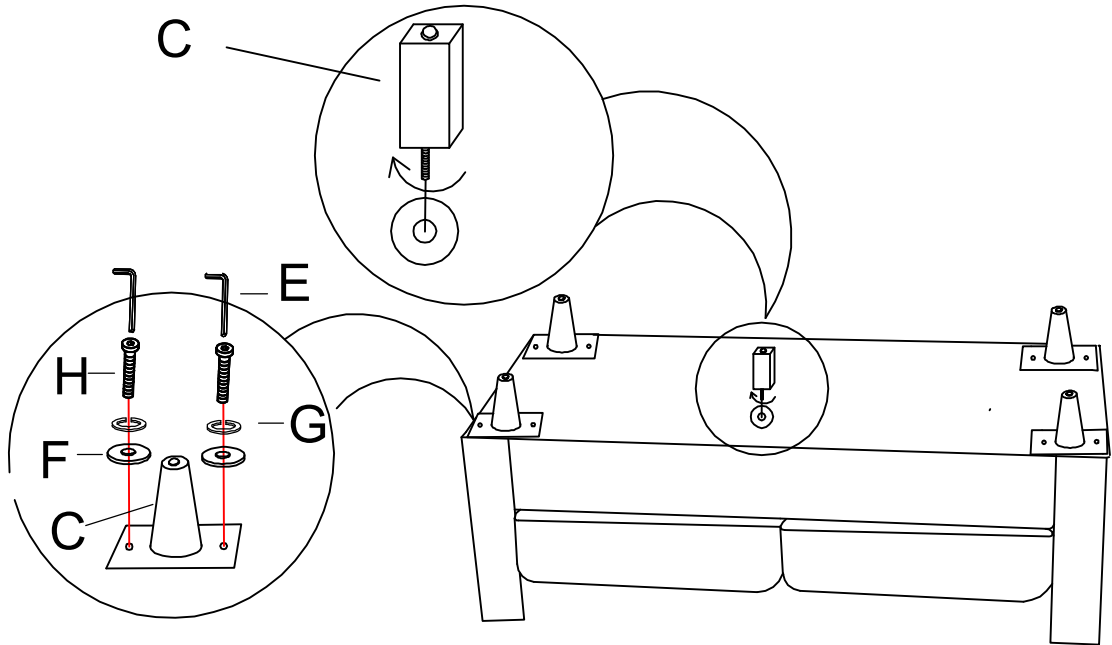
	
ALLOW 5 MINUTES	2 PEOPLE REQUIRED

# PARTS LIST

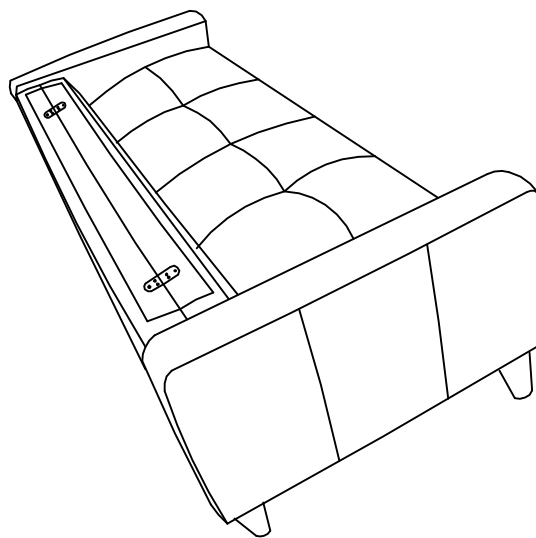


<p>A.1PC</p>  <p>Seater</p>	<p>B.2PC</p>  <p>Cushion</p>	<p>C.1PCS</p>  <p>Middle leg</p>	<p>D.4PCS</p>  <p>Leg</p>	<p>E.1PC(M5*10mm)</p>  <p>Allen Key</p>
<p>F.8PCS*(M8)</p>  <p>Flat Washer</p>	<p>G.8PCS*M8</p>  <p>Spring Washer</p>	<p>H.8PCS(M8*30mm)</p>  <p>Bolt</p>		

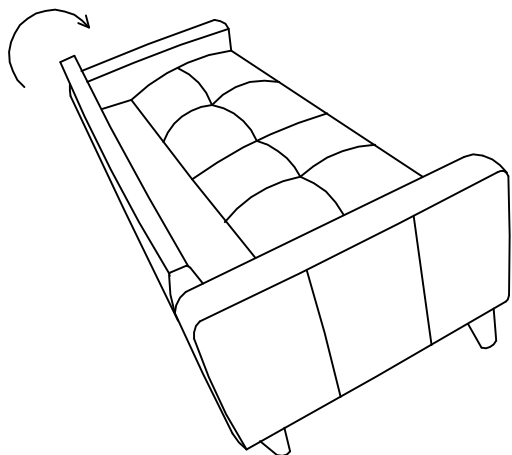
**STEP 1:** Attach leg(D) to base frame(A) ,using bolt(H) with flat washer(F) and spring washer(G),then fasten by allen key(E).With 2 people carefully turn over



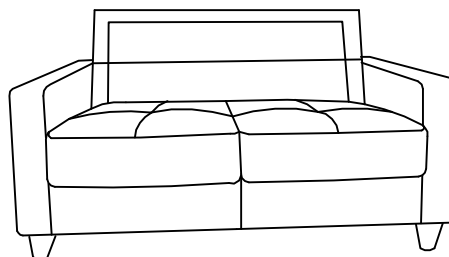
**STEP 2:** Insert the left/right ear (C/D) into the back cushion (A) as shown in the picture



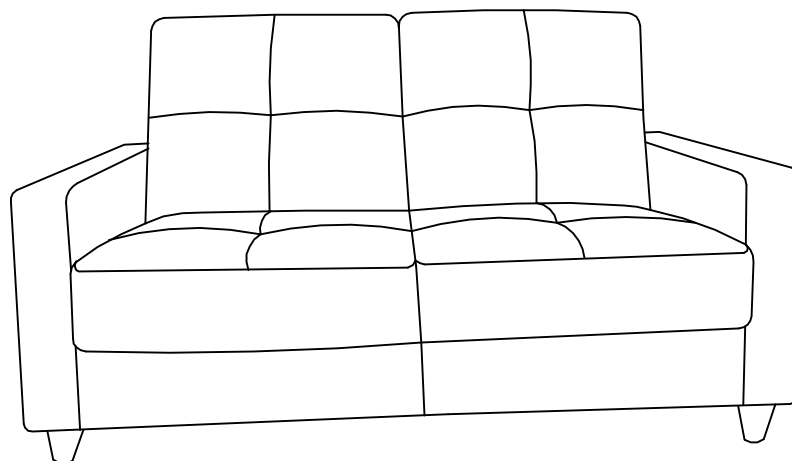
### STEP 3:



### STEP 4:



**ASSEMBLY IS COMPLETE**



Do not drag sofa on any surface, must be lifted.

# CARE AND MAINTENANCE

## FABRIC CARE

REGULAR CARE: PROTECT FROM DIRECT SUNLIGHT.  
VACUUM REGULARLY USING LOW SUCTION. ROTATE  
REVERSIBLE CUSHIONS REGULARLY.

### CLEANING:

DO NOT REMOVE CUSHION COVERS FOR SEPARATE  
CLEANING EVEN THOUGH THEY HAVE ZIPPERS.

DO NOT WASH

DO NOT DRY CLEAN

DO NOT SHAMPOO

CLEAN WITH HOT-WATER EXTRACTION MACHINE. (HOT)  
PROFESSIONAL CLEANING RECOMMENDED DO NOT USE  
DISHWASHING OR LAUNDRY

DETERGENTS

USE ONLY UPHOLSTERY DETERGENTS

DO NOT WET FILLING

DRY IN SHADE AWAY FROM DIRECT HEAT AND SUNLIGHT  
ALLOW TO DRY THOROUGHLY BEFORE RE-USE

### SPOT CLEANING:

DO NOT RUB

DO NOT SPOT CLEAN WITH ANY SOLVENT.

TREAT SPILLS AND STAINS AS SOON AS POSSIBLE.

GENTLY SCRAPE ANY SOIL OR MOP ANY LIQUID  
FROM THE SURFACE OF THE FABRIC.

APPLY PROPRIETARY CLEANING AGENTS STRICTLY  
ACCORDING TO INSTRUCTIONS TO REMOVE THE  
RESIDUE OF THE SPILL.

DO NOT SATURATE THE FABRIC OR INTERIOR WITH  
WATER OR OTHER CLEANING LIQUIDS.

WARNING: APPLY ONLY WATER-BASED SOIL RESIST (FABRIC  
PROTECTION) TREATMENTS. DO NOT USE AEROSOL  
PRODUCTS.